

(No Model.)

H. MEYER.  
ZITHER TABLE.

No. 433,801.

Patented Aug. 5, 1890.

Fig. 1.

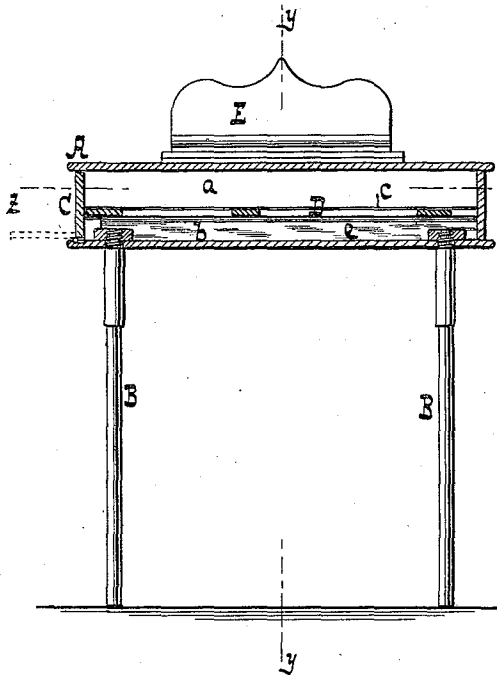


Fig. 2.

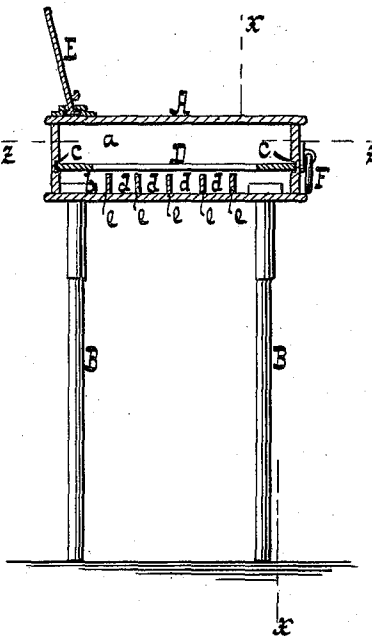


Fig. 3.

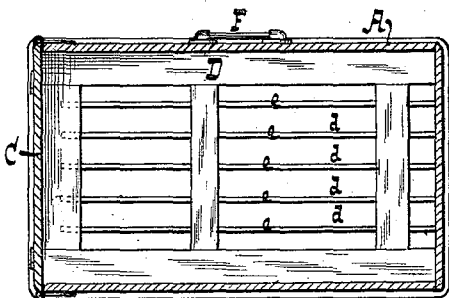
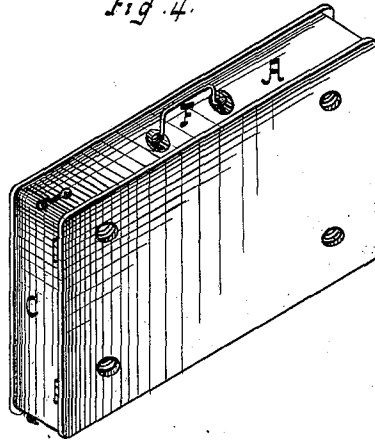


Fig. 4.



WITNESSES:

*William Miller*  
*Edward Wolff*

INVENTOR:

*Henry Meyer.*

BY *Van Santwood & Hauck*

ATTORNEYS

# UNITED STATES PATENT OFFICE.

HENRY MEYER, OF BROOKLYN, NEW YORK.

## ZITHER-TABLE.

SPECIFICATION forming part of Letters Patent No. 433,801, dated August 5, 1890.

Application filed November 21, 1889. Serial No. 331,106. (No model.)

*To all whom it may concern:*

Be it known that I, HENRY MEYER, a citizen of the United States, residing at Brooklyn, in the county of Kings and State of New York, have invented new and useful Improvements in Zither-Tables, of which the following is a specification.

This invention relates to a table the top of which is hollow and divided into compartments as pointed out in the following specification and claim, and illustrated in the accompanying drawings, in which—

Figure 1 represents a longitudinal vertical section in the plane  $x x$ , Fig. 2. Fig. 2 is a transverse vertical section in the plane  $y y$ , Fig. 1. Fig. 3 is a horizontal section in the plane  $z z$ , Figs. 1 and 2. Fig. 4 is a perspective view of the table when closed up for transportation.

In the drawings, the letter A designates the table-top, which is supported by legs B B. These legs are removably attached to the top, so that they can be readily taken off and packed away in the interior of the table-top. In the example shown in the drawings, said legs are provided with screw-threads, which can be made to engage corresponding screw-sockets in the bottom of the table-top. Said table-top is made hollow, and it is provided with a hinged door C, which can be turned down to the position shown in dotted lines in Fig. 1, or which can be turned up to the position shown in full lines in said figure and locked by hooks and eyes or other suitable fastenings.

The interior of the table-top is divided in two compartments  $a b$  by means of a horizontal partition D, which fits into guide-grooves  $c$ , and which can be drawn out when the doors C is opened. The lower compartment  $b$  is divided into four sections  $d$  by means of vertical partitions  $e$ , each of said sections being intended for the reception of one of the legs B. On the top A is secured a folding desk E, on which the note-sheets can be placed when the table is put up for use.

When the table is to be transported, the door C is opened, the partition D is drawn out partially, the zither is adjusted on the same, and then the partition, together with the zither, is pushed back into the interior of the top A, the legs B are unscrewed and pushed into the sections  $d$ , the door C is closed, and the desk E is turned down. In this condition the table, together with its contents, can be readily carried by means of a handle F.

What I claim as new, and desire to secure by Letters Patent, is—

A combined portable zither-table and case, consisting of the hollow top A, the hinged door C, the partition D, and the sections  $d d d d$  beneath said partition, substantially as described.

In testimony whereof I have hereunto set my hand in the presence of two subscribing witnesses.

HENRY MEYER.

Witnesses:

W. C. HAUFF,  
E. F. KASTENHUBER.